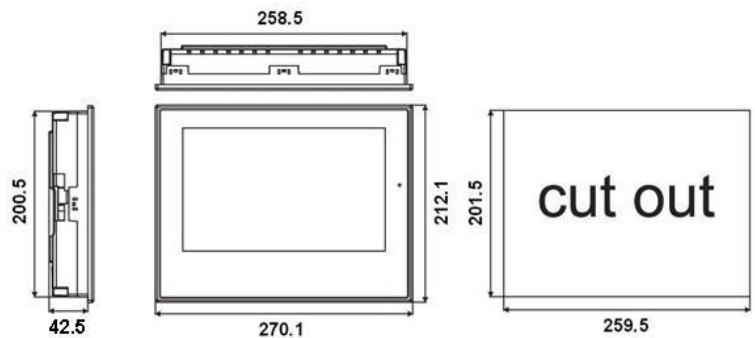
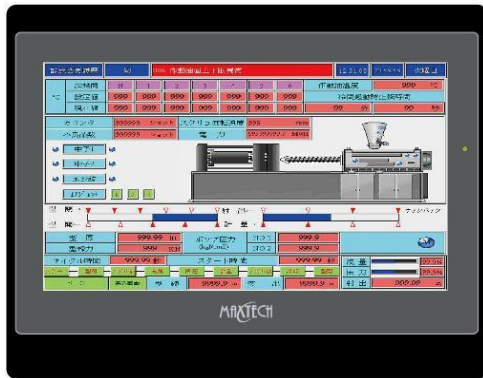


Human Machine Interface



Unit : mm

Standard Specification

Display Information				Touch screen	
Size	10.1" (16:9)			4 wires analog resistive	
Sub-Model	1	2	4	CPU	
Max. Resolution	1024x600			RISC 32 bits	
Type	TFT LCD			Flash Memory	
Max. Colors	65,536 Colors			8 MB NOR Flash	
Backlight Type	LED			Battery Backed Memory	
Backlight Life (hr)	20000 Hrs			128 KB (1024 KB optional)	
Luminance (cd/m2)	200			Working Memory	
Communication Interface				64MB	
Micro-SD Slot	-	Yes	Yes	NAND Flash	
USB Client	Yes			-	128MB
USB Host	Yes			Dimension WxHxD (mm)	
Serial	COM1: RS232/422/485			270.1x212.1x42.5	
	COM2: A-RS422/485			Cutout Dimension WxH (mm)	
	B-RS232/485			259.5x201.5	
	C-RS232 with RTS&CTS			Net Weight (kg)	
COM3: RS232			1.2		
Ethernet	-	-	Yes	Power	
				Supply Voltage	24VDC ±10%
				Consumption	20W
Environment					
Operating Temperature	0~50°C (32~120°F)			CE	EN61000-6-2, N61000-6-4
Relative Humidity	10~90% RH @ 0~50°C, non-condensing			Ingress Protection	NEMA4, IP66
Shock (optional)	10~55 Hz (X,Y, Z direction, 1G, 30 minutes)			Cooling	Natural Cooling
EMI	FCC Part 15 Class A				