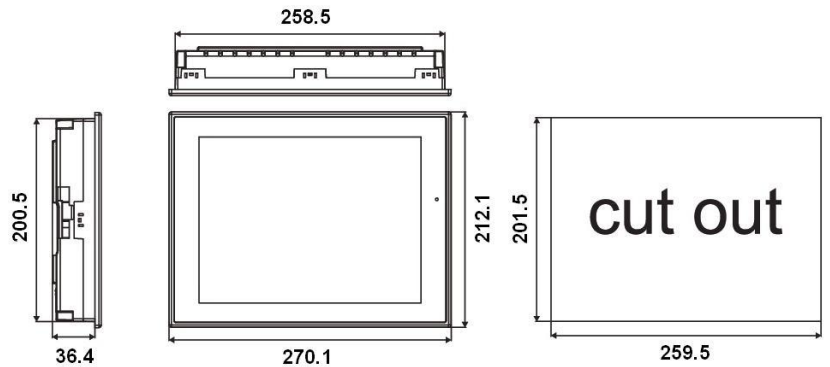


## Human Machine Interface



Unit : mm

### Standard Specification

Display Information				Touch screen			
Size	10.4" (4:3)			4 wires analog resistive			
Sub-Model	1	2	4	CPU			
Max. Resolution	800x600			RISC 32 bits			
Type	TFT LCD			Flash Memory			
Max. Colors	65,536 Colors			8 MB NOR Flash			
Backlight Type	LED			Battery Backed Memory			
Backlight Life (hr)	20000 Hrs			128 KB (1024 KB optional)			
Luminance (cd/m2)	400			Working Memory			
<b>Communication Interface</b>				64MB			
Micro-SD Slot	-	Yes	Yes	NAND Flash			
USB Client	Yes			-	128MB	128MB	
USB Host	Yes			Dimension WxHxD (mm)			
Serial	COM1: RS232/422/485			270.1x212.1x42.5			
	COM2: A-RS422/485			Cutout Dimension WxH (mm)			
	B-RS232/485			259.5x201.5			
	C-RS232 with RTS&CTS			Net Weight (kg)			
	COM3: RS232			1.2			
Ethernet	-	-	Yes	Power			
				Supply Voltage	24VDC ±10%		
				Consumption	20W		
Environment							
Operating Temperature	0~50°C (32~120°F)			CE	EN61000-6-2, N61000-6-4		
Relative Humidity	10~90% RH @ 0~50°C, non-condensing			Ingress Protection	NEMA4, IP66		
Shock (optional)	10~55 Hz (X,Y, Z direction, 1G, 30 minutes)			Cooling	Natural Cooling		
EMI	FCC Part 15 Class A						