

TH3M 、 TM48S 、 SH3C and SH3BA Series Multi Range Timer



Features

1. Products Classification: Multi range timer.
2. Surface mount (N type) or flush mount (Y type) Compatible with standard 8 hole socket.
3. 15 different time ranges available, from 1sec to 30hour.
4. High operation stability and extreme timing accuracy.
5. Operation status indicator for easy monitoring.

Panel Function



MARKS/DESCRIPTIONDESCRIPTION		
1	Main Control Indicator	Red LED Twinkling Shows "OFF"
2	Main Control Indicator	Red LED Twinkling Shows "ON"
3	Main Control Setting	
4	Time Switch	Switch to min. \ sec. or X3 \ X30



MARKS/DESCRIPTIONDESCRIPTION		
1	Main Control Indicator	Yellow LED Twinkling Shows "ON" Red LED Twinkling Shows "OFF"
2	Type Switch	A-B Type Switch
3	Type Indicator	Display A-B Type
4	Main Control Setting	
5	Time Indicator	Display min.-sec.-10 min-10 sec.
6	Time Switch	Switch to min.-sec.-10 min-10 sec.







MARKS/DESCRIPTIONDESCRIPTION		
1	Main Control Indicator	Red LED Twinkling Shows "OFF"
2	Main Control Setting	
3	Main Control Indicator	Red LED Twinkling Shows "ON"



MARKS/DESCRIPTIONDESCRIPTION		
1	Main Control Indicator	Red LED Twinkling Shows "OFF"
2	Mode Switch	A-B Mode Switch
3	Mode Indicator	Display A-B Mode
4	Main Control Setting	
5	Main Control Indicator	Red LED Twinkling Shows "ON"

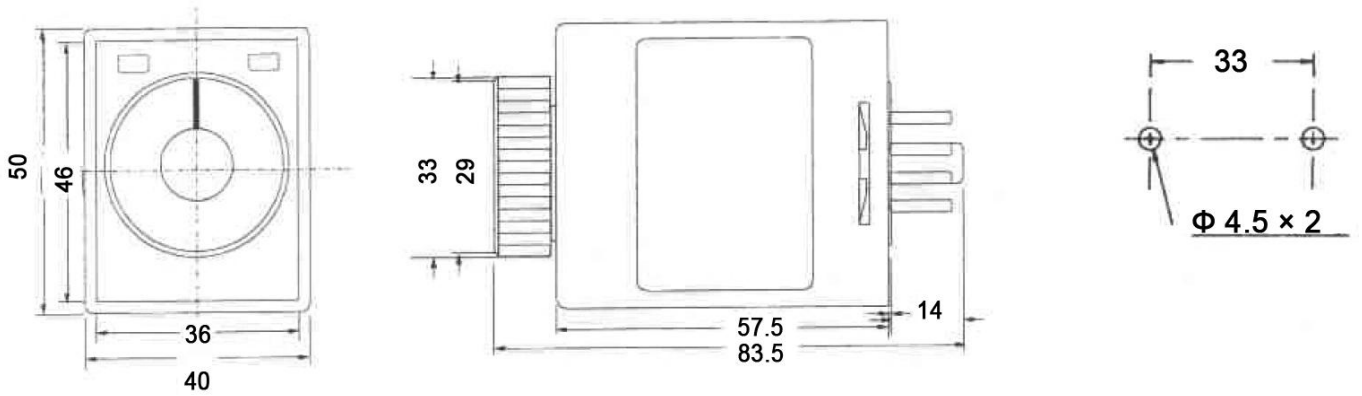
Standard Specification

Model		TH3M		TM48S				
Products								
Type		Surface	Plush	x				
Dimension		50Hx40 Wx57.5D	70Hx47 Wx57.5D	45Hx48Wx78D				
Mounting & Socket	Surface (N)	PF085A	x	P2CF-08				
	Plush (Y)	x	US08 or P3G-08	Y48 & P3G-08 or Y48& US08				
Full Time Range		A:1S,10S,1M,10M B:3S,30S,3M,30M C:6S,60S,6M,60M D:1M,10M,1H,10H E:3M,30M,3H,30H		A:1S,10S,1M,10M B:3S,30S,3M,30M C:6S,60S,6M,60M E:3M,30M,3H,30H				
Rated Voltage		DC(V): 12, 24 AC(V): 12, 24, 110, 220, 240, 50/60Hz		24V~240V AC/DC				
Contact	Mode	TH3M-N	TH3M-Y	TM48S -A	TM48S -B	TM48S -C	MODE A	MODE B
	Time Limit 1C	x	x	5A	x	5A	5A	x
	Time Limit 2C	5A	5A	x	5A	x	x	5A
	Instantaneous 1C	x	x	5A	x	x	5A	x
Mechanical Life		5x10 ⁶ times		10 ⁶ times				
Electrical Life		10 ⁵ times		10 ⁵ times				
Accuracy	Repeat ERROR	±1% max		±1% max				
	Setting ERROR	±10% max		±10% max				
	Voltage ERROR	±1% max		±1% max				
	Temp. ERROR	±2% max		±2% max				
Resetting time		0.1 sec max		0.1 sec max				
Consumed Power		2VA		2VA				
Ambient Temperature		-10°C~+55°C		-10°C~+55°C				
Ambient Humidity		45~85% RH		45~85% RH				
Weight		160g		180g				

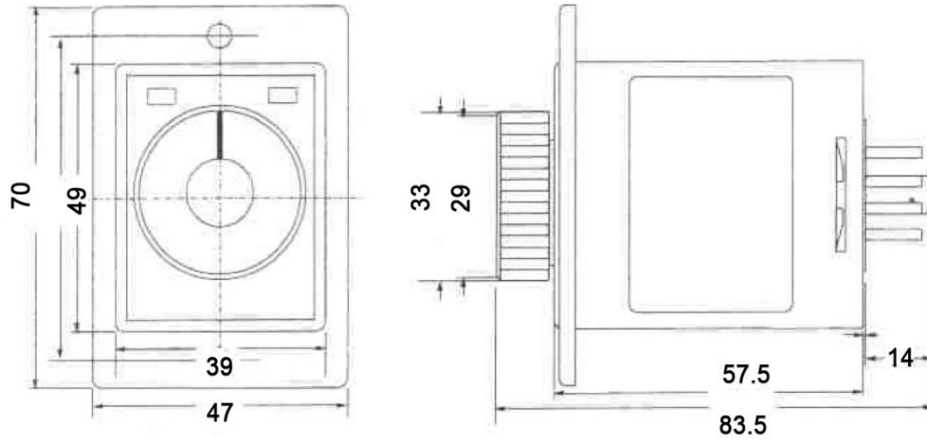
Model		SH3CR	SH3BA	
Products				
Dimension		48Hx48Wx57.5D	45Hx48Wx78D	
Mounting & Socket	Surface (N)	P2CF-08	P2CF-08	
	Plush (Y)	Y48 & P3G-08 or Y48& US08	Y48 & P3G-08 or Y48& US08	
Full Time Range		0.05~300h	0.05 to 0.5, 1 to 10 0.1 to 1 0.5 to 5	
Rated Voltage		AC(V): 110~220V	24V~240V AC/DC	
Contact	Mode	A	A	B
	Time Limit 1C	5A	5A	x
	Time Limit 2C	x	x	5A
	Instantaneous 1C	5A	5A	x
Mechanical Life		5×10^7 times	10^7 times	
Electrical Life		10^5 times	10^5 times	
Accuracy	Repeat ERROR	$\pm 0.3\%$	$\pm 0.3\%$	
	Setting ERROR	$\pm 5\%$	$\pm 5\%$	
	Voltage ERROR	$\pm 0.5\%$	$\pm 0.5\%$	
	Temp. ERROR	$\pm 0.2\%$ sec	$\pm 0.2\%$	
Resetting time		0.1 sec max	0.1 sec max	
Consumed Power		AC:10VA/1W DC:1W	AC:10VA/1W DC:1W	
Ambient Temperature		-10°C~+55°C	-10°C~+55°C	
Ambient Humidity		35~85% RH	35~85% RH	
Weight		160g	100g	

External Dimension

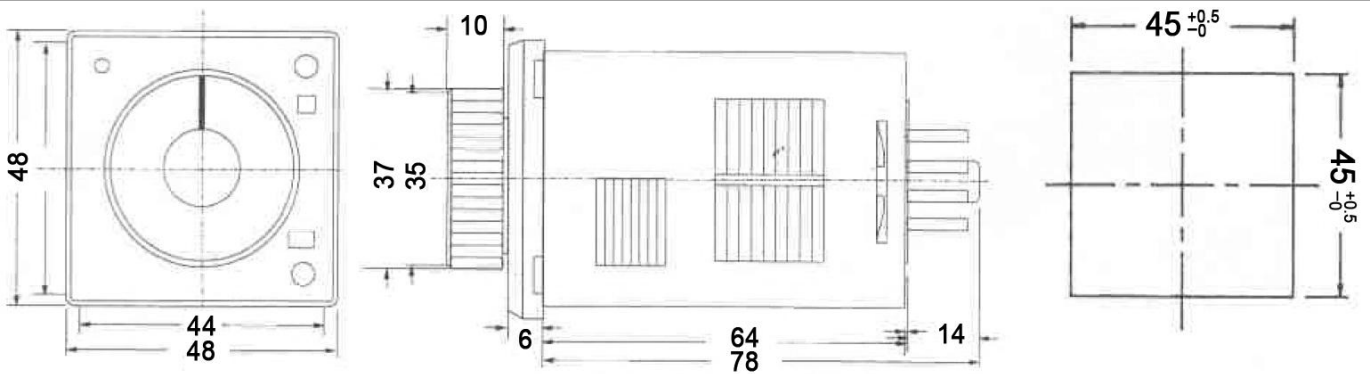
TH3M Series Surface



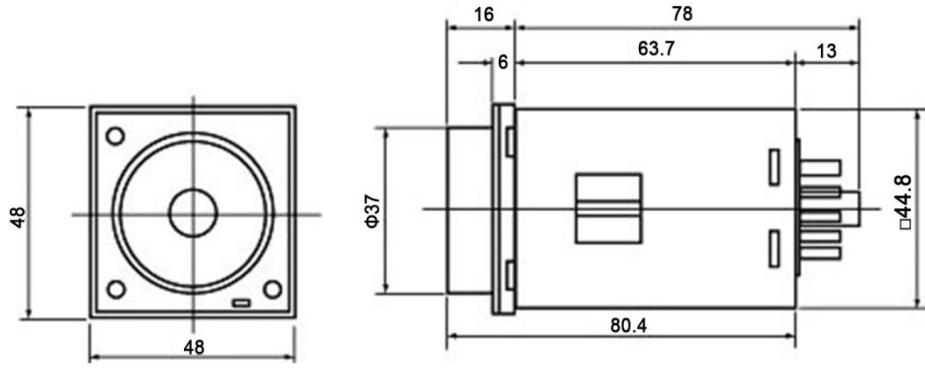
Plush



TM48S Series

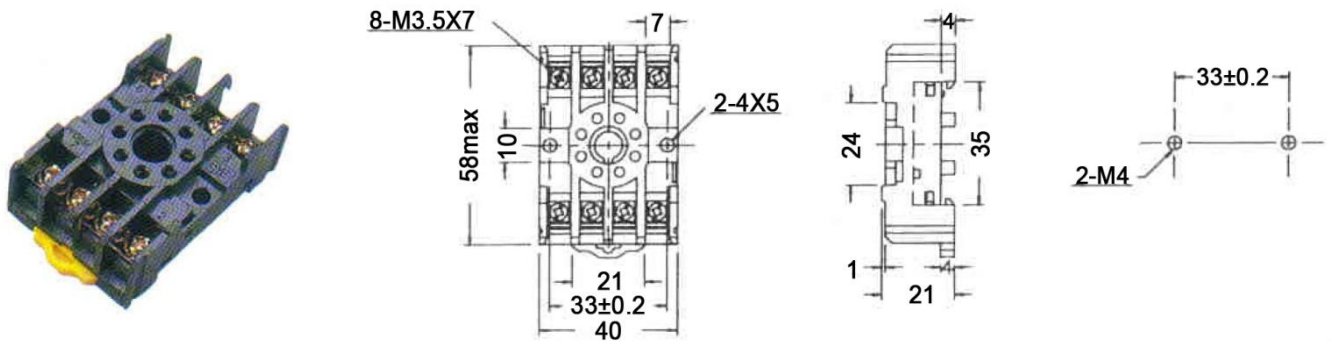


SH3BA

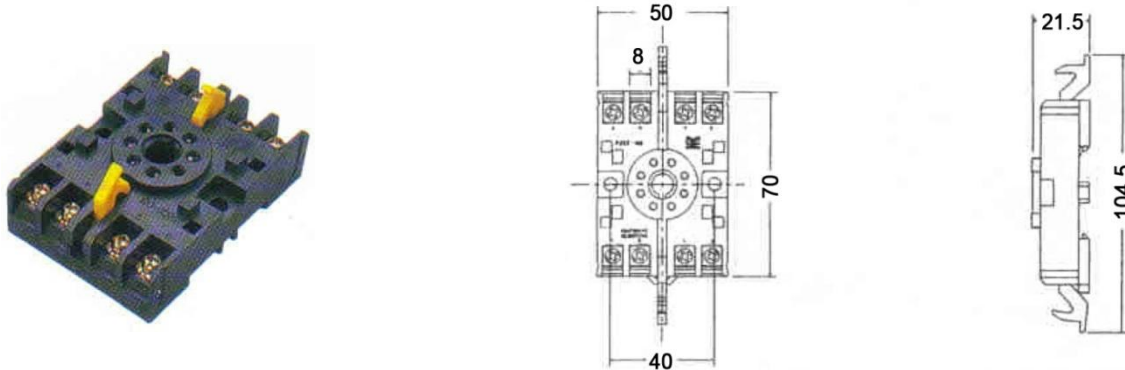


Socket & Wiring Diagram

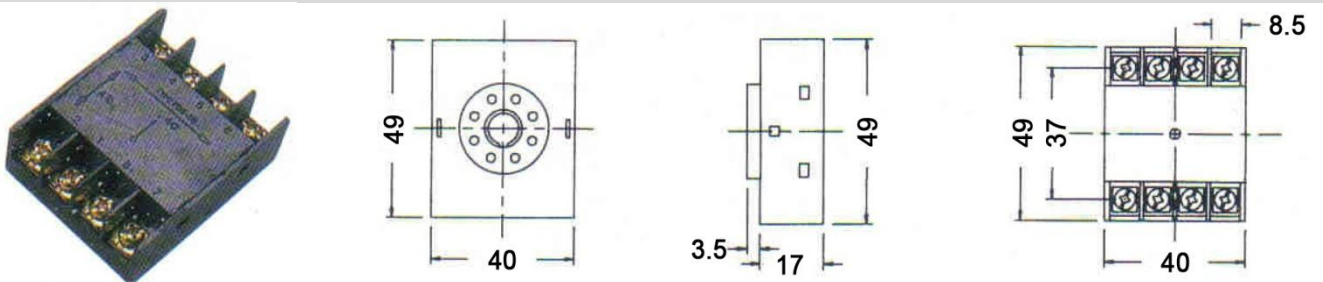
PF085A



P2CF-08



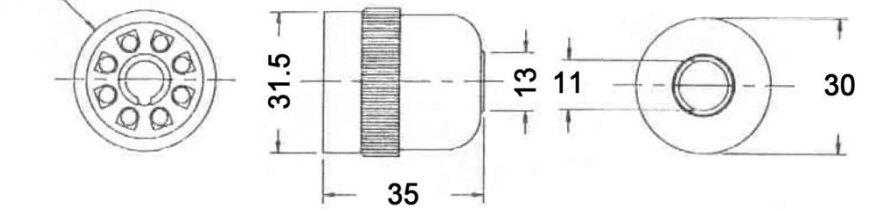
P3G-08



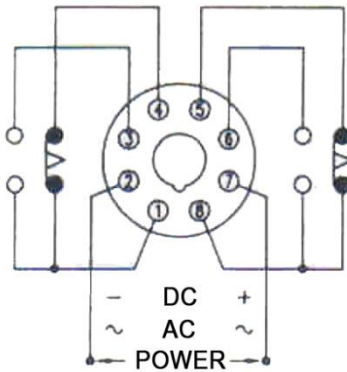
US08



Φ 31.5



TH3M-N TH3M-Y



POWER (2-7)

NC (8-5)

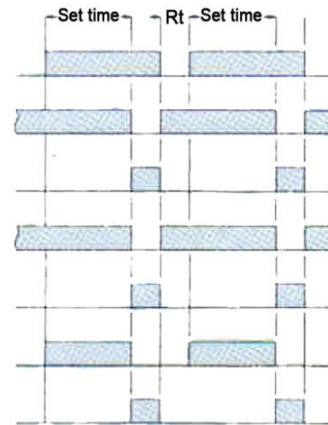
NO (8-6)

NC (1-4)

NO (1-3)

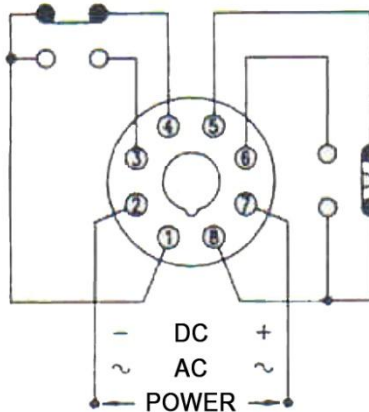
ON LAMP

UP LAMP



Rt: Resetting time

TM48S- Mode A



POWER (2-7)

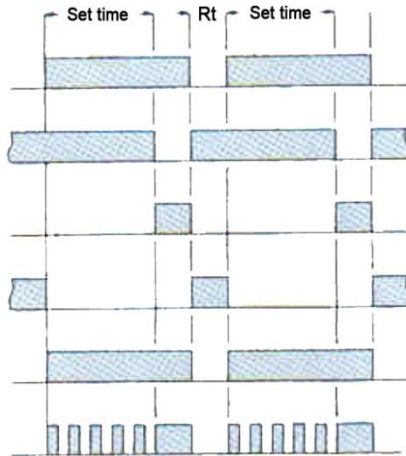
NC (8-5)

NO (8-6)

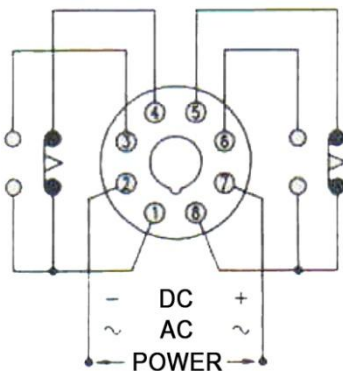
NC (1-4)

NO (1-3)

LAMP



TM48S- Mode B



POWER (2-7)

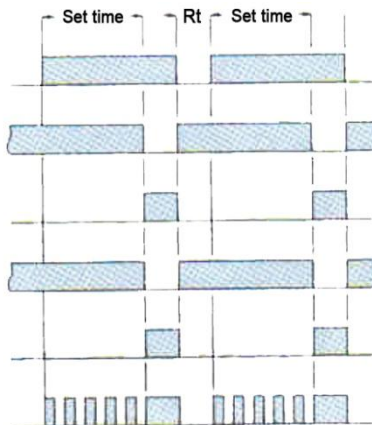
NC (8-5)

NO (8-6)

NC (1-4)

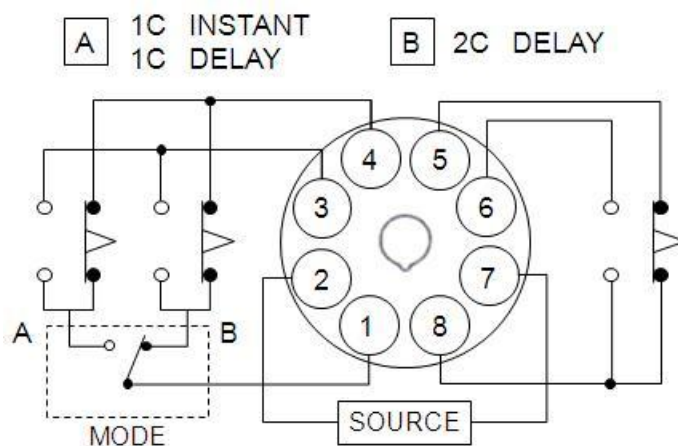
NO (1-3)

LAMP



Rt: Resetting time

TM48S- Mode AB



Order information

TH3M-N B 1 A

A B C D E

A. Model:

TH3M Series

B. Mounting Type:

N- Surface
Y- Plush

C. Output Contact:

B- Time Limit 2C

D. Full Time Range:

1- 1S,10S,1M,10M
2- 3S,30S,3M,30M
3- 6S,60S,6M,60M
4- 1M,10M,1H,10H
5- 3M,30M,3H,30H

E. Rated Voltage:

A- AC(V): 12, 24, 110, 220, 240, 50/60Hz
D- DC(V): 12, 24

TM48S-N A 1 A

A B C D E

A. Model :

TM48S Series

B. Mounting Type :

N- Surface
Y- Plush

C. Output Contact :

A- Time Limit 1C, Instant 1C
B- Time Limit 2C
C- Instant 1C
AB- Mode A Time Limit 1C, Instant 1C
Mode B Time Limit 2C

D. Full Time Range :

1- 1S,10S,1M,10M
2- 3S,30S,3M,30M
3- 6S,60S,6M,60M
4- 3M,30M,3H,30H

E. Rated Voltage :

A- AC(V): 24~240V
D- DC(V): 24~240V

SH3CR-

N	A	1	A
---	---	---	---

A B C D E

A. Model:

SH3CR Series

B. Mounting Type:

N- Surface

Y- Plush

C. Output Contact:

A- Time Limit 1C, Instantaneous 1C

D. Full Time Range:

1- 0.05~300h

E. Rated Voltage:

A- AC(V): 110~220V

SH3BA-

N	A	1	A
---	---	---	---

A B C D E

A. Model :

SH3BA Series

B. Mounting Type :

N- Surface

Y- Plush

C. Output Contact :

A- Time Limit 1C, Instantaneous 1C

B- Time Limit 2C

D. Full Time Range :

1- 0.05 to 0.5

2- 1 to 10

3- 0.1 to 1

4- 0.5 to 5

E. Rated Voltage :

A- AC(V): 24~240V

D- DC(V) : 24~240V

Contact

Taipei World Trade Center

Add: 3C25, Taipei World Trade Center, No. 5, Sec. 5, Hsin Yi Rd. Taipei Taiwan, R.O.C.

Tel: 886-2-27206601 (Rep.)

Fax: 886-2-23455120

E-mail: gitta@ms9.hinet.net

<http://www.maxthermo.com>

Factory

Add: 11F., No.168, Jiankang Rd., Zhonghe Dist., New Taipei City 235, Taiwan (R.O.C.)

Tel: 886-2-22287950 (Rep.)

Fax: 886-2-22286140

Thailand Office - THAI MAXIMUM ELECTRONIC CO., LTD

Add: 86/132-133 m.7 Samaedum Bangkoontien Bangkok 10150 Thailand.

Tel: +662-415-8318 , +662-417-2548-49

Fax: +662-415-8798

<http://www.thaimaximum.com>